

Interactive PRO Table

Unique 10-Point Multi-Touch Table Experience Suitable for a Wide Range of Applications

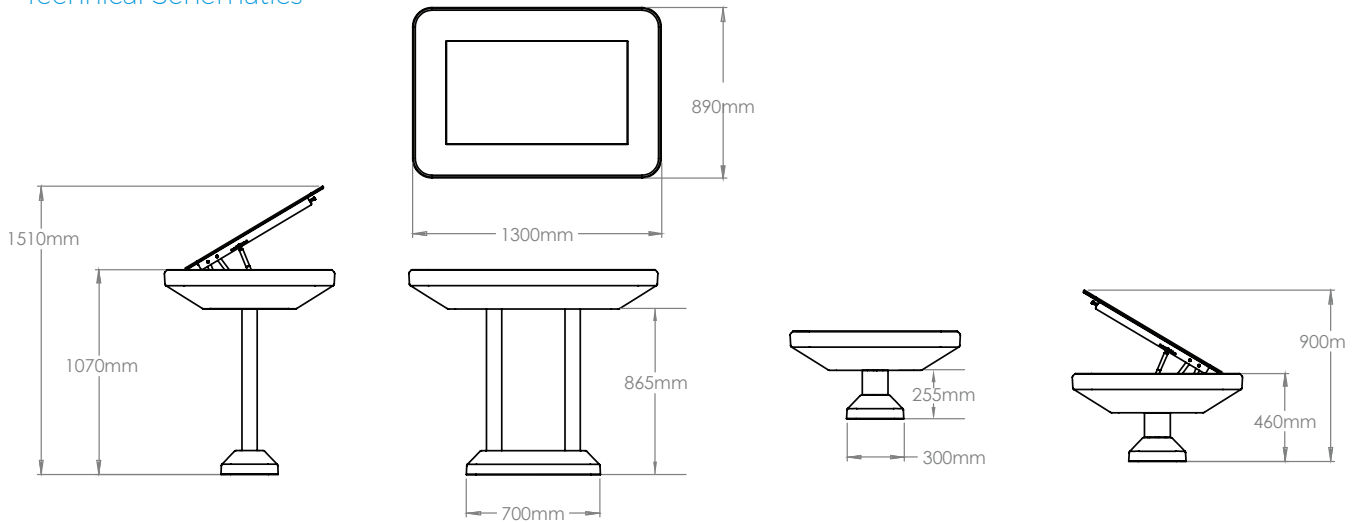
Featuring a very robust 6mm thick toughened glass, 10-point multi-touch projective capacitive touch screen, and a premium industrial quality 42" FHD LCD mounted inside an attractive high gloss black ABS housing - the table is supplied with an industrial grade fanless computer platform to meet the most demanding requirements. This table can be used in a host of different applications including hospitality, retail, gaming or indeed any application where there is a possibility for more than one person at a time to utilize or interact with the system, including video and browser applications. The bezel-free design is manufactured to withstand harsh environments and uses industrial grade components, ensuring high reliability and high customer satisfaction. Its design allows easy access to all the component parts, ensuring that services can be done quickly and efficiently.

Highlights

- Dynamic 1-2-4 Screen/Interface Configurations
- 1-2-4 User Video and Browser Combinations
- Variable Multi-Touch Applications
- Multiple Channel Live Digital TV
- Direct Integration of Your Target Application Capable
- Secure Crossover Platform
- Resilient to Real Work Environments Including:
 - ✓ Room Lighting
 - ✓ Liquid & Food Spills
 - ✓ Shock Proof
- Two Different Models (Bar & Lounge Height)
- UL Certified Product



Technical Schematics



Unit of measure: mm

Hardware options

- 42" LCD
- Premium Industrial Grade FHD LED Panel
- Resolution: 1920 x 1080
- Wide Viewing Angle

Interface

- 10 Point Multi-Touch Screen
- Projective Capacitive
- Toughened, 6mm Anti-Glare Glass

Computer platform

- Fanless Industrial Grade

Power supply

- Input Voltage 100V-240V AC capable

Power consumption

- Continuous power rating approximately 155W

