

## Dual Sided LCDs

Perfect for casinos, table games, signage or other interior environments

With its stylish design the Dual Sided FHD displays are a slick way to share content, catching customers coming and going. Available in three distinct sizes to ensure the perfect fit for your venue. The low power requirements allow the display to stand out just about anywhere. To eliminate dual graphic and multiple PC issues both displays are driven by a single HDMI signal source.

### Features

- FHD LED industrial wide viewing angle panel
- HDMI connection
- One signal source for dual display
- 12VDC input power
- Black bezel with colored inner frame
- Custom<sup>1</sup> length round mounting pole available
- Adjustable rotation mounting plate
- FCC, CE and RoHS Compliance



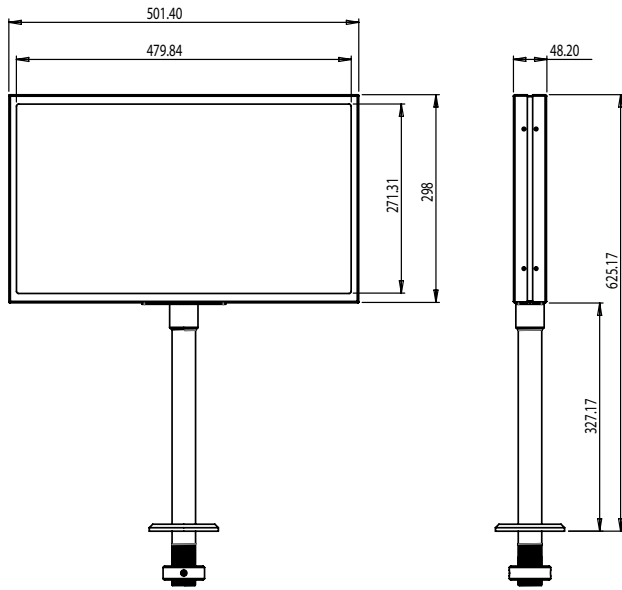
21.5" and 27" Landscape LCD



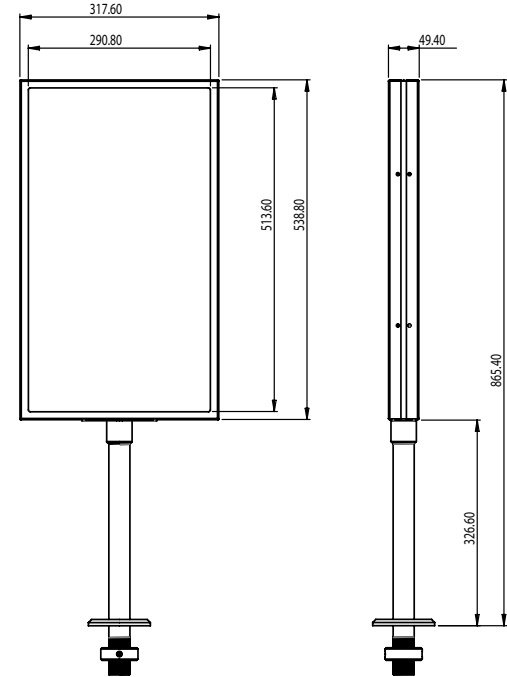
23" Portrait LCD

## Technical Schematics

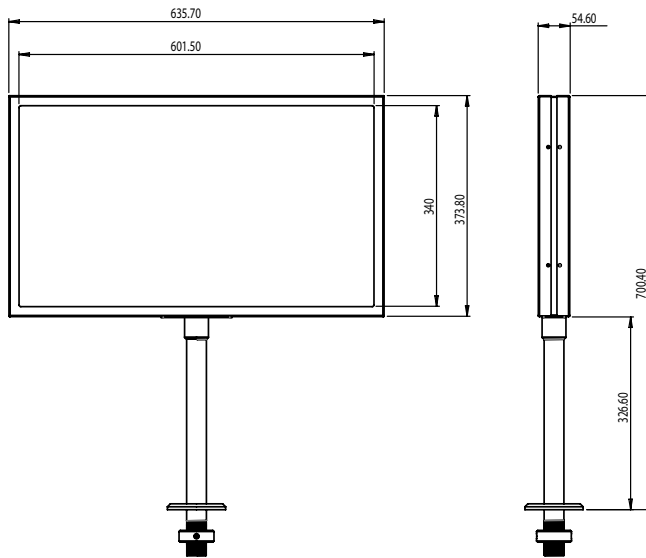
21.5" Landscape Dimensions



23" Portrait Dimensions



27" Landscape Dimensions



Unit of measure: mm

## Technical Specifications

Screen Diagonal	21.5"	23"	27"
Orientation	Landscape	Portrait	Landscape
Resolution	FHD 1920 x 1080	FHD 1920 x 1080	FHD 1920 x 1080
White Luminance	250 cd/m <sup>2</sup>	250 cd/m <sup>2</sup>	250 cd/m <sup>2</sup>
Contrast Ratio	3000 : 1	1000 : 1	1000 : 1
Operating Temperature	0 ÷ 50 °C	0 ÷ 50 °C	0 ÷ 50 °C
Viewing Angle	89° all sides	89° all sides	89° all sides
Power Requirements	12vDC	12vDC	12vDC
Display Height	Custom <sup>†</sup>	Custom <sup>†</sup>	Custom <sup>†</sup>

**1 M<sup>†</sup> round pole with black bezel with added gold\* edge featured**

\*Different outer and inner colors available upon request but MOQ's apply.

<sup>†</sup>Custom pole length and base mounting options available upon request but MOQ's apply.